

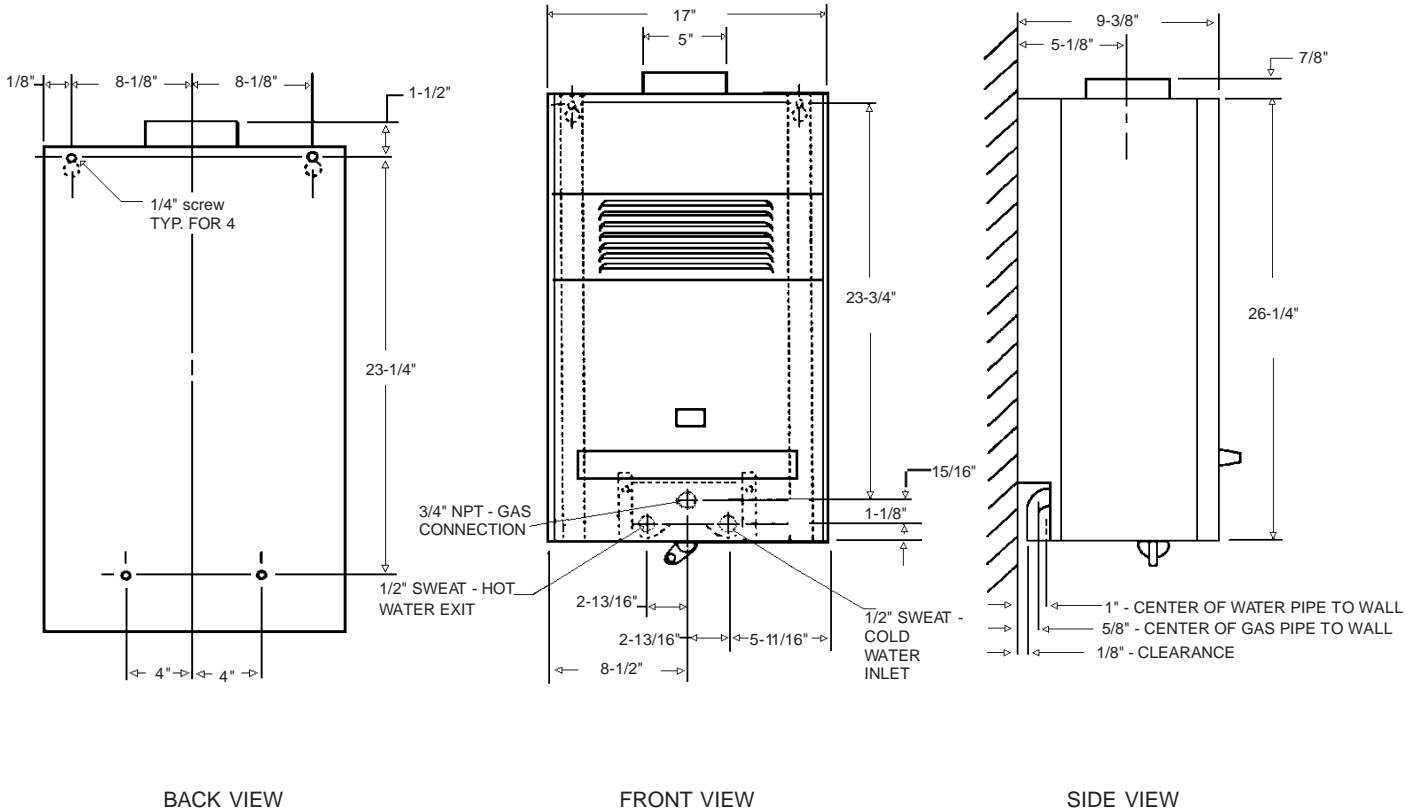
# CLEARANCE TO COMBUSTIBLES

MODELS: 125VP

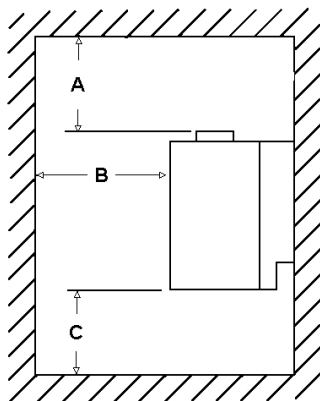


## WARNING

LP & NG ARE EXTREMELY FLAMMABLE SO TAKE EXTRA PRECAUTIONS WHEN PERFORMING ANY WORK TO THE HEATER



### MINIMUM INSTALLATION CLEARANCES FROM COMBUSTIBLE MATERIALS FOR ALCOVE INSTALLATION



	125 VP ALCOVE ONLY
TOP (A)	6" *
FRONT (B)	OPEN
BACK	0"
SIDES	1" **
FLOOR	6"
FLUE DIA.	5"

\* THIS IS CLEARANCE FROM TOP OF UNIT, NOT LENGTH OF VENT PIPE

\*\* FOR EASE OF SERVICE, 12" CLEARANCE ON LEFT SIDE IS RECOMMENDED