

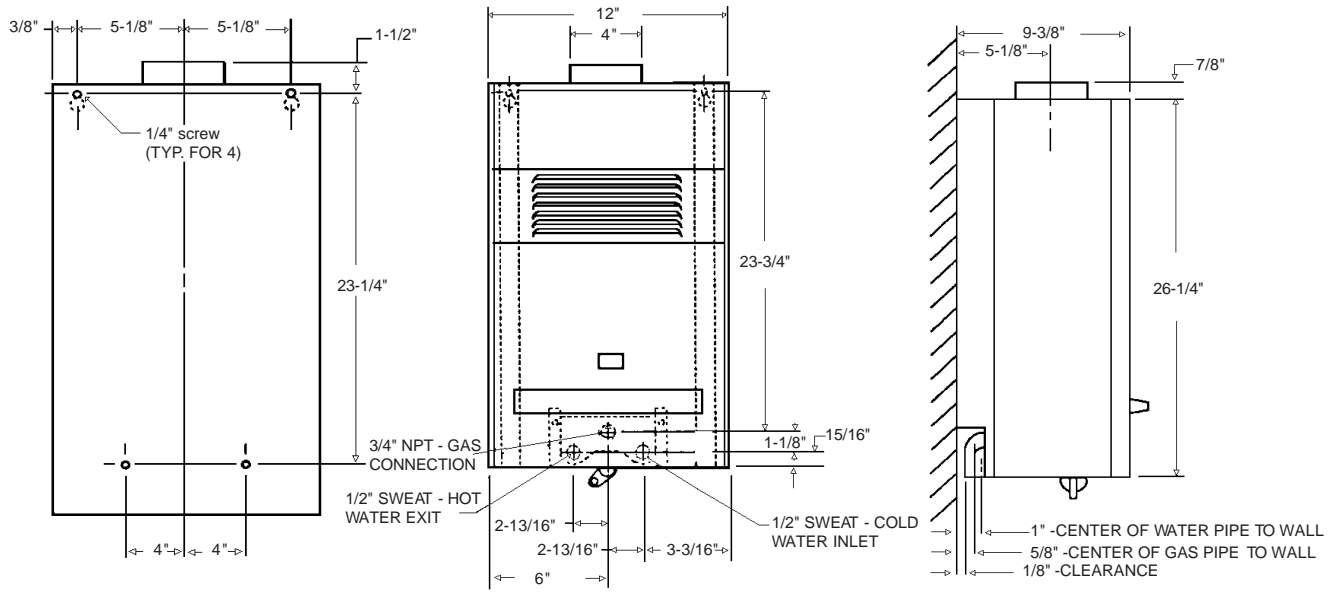
CLEARANCE TO COMBUSTIBLES

MODELS: 80VP



WARNING

LP & NG ARE EXTREMELY FLAMMABLE SO TAKE EXTRA PRECAUTIONS WHEN PERFORMING ANY WORK TO THE HEATER



BACK VIEW

FRONT VIEW

SIDE VIEW

MINIMUM INSTALLATION CLEARANCES FROM COMBUSTIBLE MATERIALS FOR ALCOVE AND CLOSET INSTALLATIONS

	80 VP ALCOVE ONLY	80 VP CLOSET ONLY
TOP (A)	6" *	12" *
FRONT (B)	OPEN	6"
BACK	0"	0"
SIDES	1" **	1" **
FLOOR (C)	6"	12"
FLUE DIA.	4"	4"

* THIS IS CLEARANCE FROM TOP OF UNIT, NOT LENGTH OF VENT PIPE

** FOR EASE OF SERVICE, 12" CLEARANCE ON LEFT SIDE IS RECOMMENDED