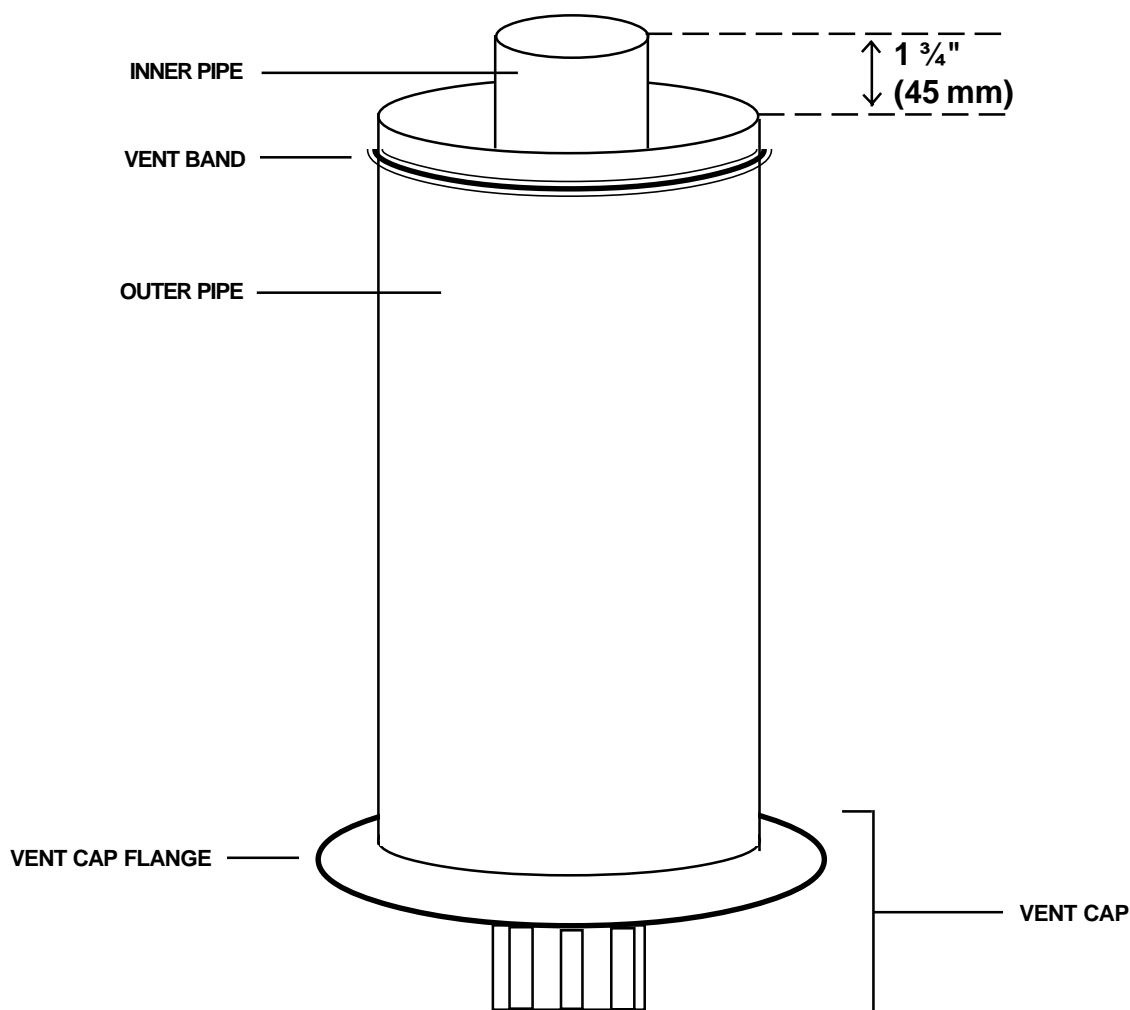


## ECOTHERM VENT KIT

- Minimum vent length should be 6" (153 mm)
- Note the difference in length between inner and outer pipe. This same distance **MUST REMAIN** when the vent is cut to length.



- Vent band keeps vent from pushing back through the wall when mounting the heater. Screwing or caulking outside vent cap to outside wall is suggested where practical. If the vent cap flange does not fit flush to the outside wall then a support box around it may be required. See manual.
- In order to install the vent band, the outer vent pipe must protrude  $7/16$ " (12 mm) past inner wall support bracket, which is supplied with heater.