

REPLACING HEAT EXCHANGER

MODELS: 1000P, 1600P, 1600H,
260PN, 425PN, 425HN



WARNING

LP & NG ARE EXTREMELY FLAMMABLE SO
TAKE EXTRA PRECAUTIONS WHEN
PERFORMING ANY WORK TO THE HEATER

Removing heat exchanger

1. Remove cover as per installation manual
2. Turn off gas to heater using installer supplied shutoff valve.
3. Close installer supplied cold water shutoff valve to heater (if none installed, install before proceeding.)
4. Open lowest hot water faucet to drain lines and relieve pressure in heater.
5. Position a bucket below water connections to water heater.
6. Remove the retaining clip (Fig. 1 Num. 1) from the threaded bushing. Then remove the threaded bushing (Fig. 1 Num. 2) from the water valve.
7. Contents of heater and water lines will drain to bucket below.
8. Once all water has drained, reinsert threaded bushing into water valve and secure with retaining clip
9. Locate and remove clips on both left and right side connections on lower rear of heat exchanger. (Fig. 2, Num. 1)
10. Loosen Phillips head screw on temperature limiter (ECO) and remove from heat exchanger mount. (Fig.2, Num. 2)
11. Remove covering angle strip which runs horizontally at top of heat exchanger. (Fig. 2, Num. 3)
12. Remove heat exchanger from heater by pulling top of heat exchanger forward. When the back edge of the heat exchanger clears the draft diverter, pull heat exchanger up and out.

Installing heat exchanger

1. Install new heat exchanger in heater.
2. Mount covering angle strip across the top of heat exchanger. (Fig. 2, pos. 3)
3. Reconnect water pipes to heat exchanger and reinstall retaining clips. NOTE: Lubricate o-rings on pipes before connecting. (Fig. 2, pos. 1)
4. Remount temperature limiter (ECO) on upper right of heat exchanger. (Fig. 2, pos. 2)
5. Turn water on and check for leaks at connections.
6. Open gas supply, replace cover and return heater to service.

FIGURE 1

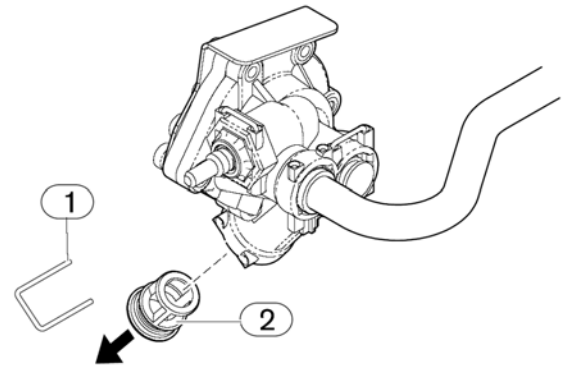


FIGURE 2

